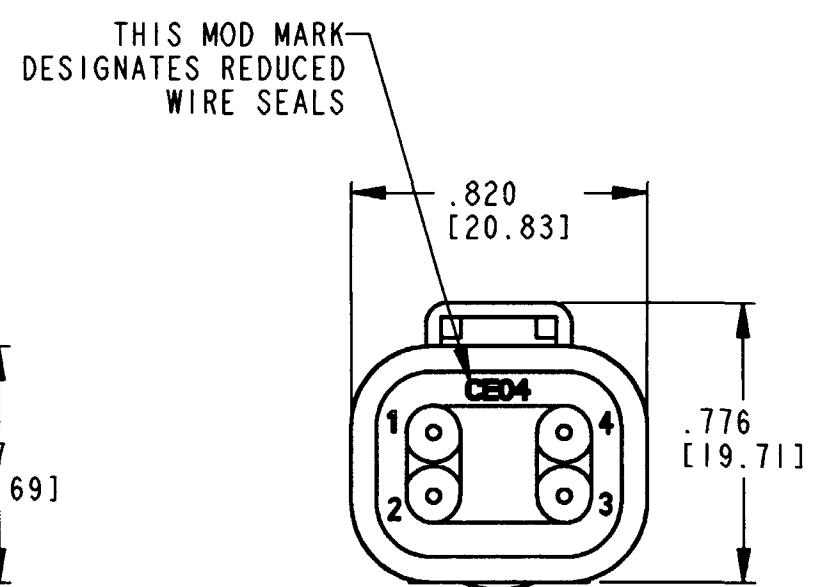
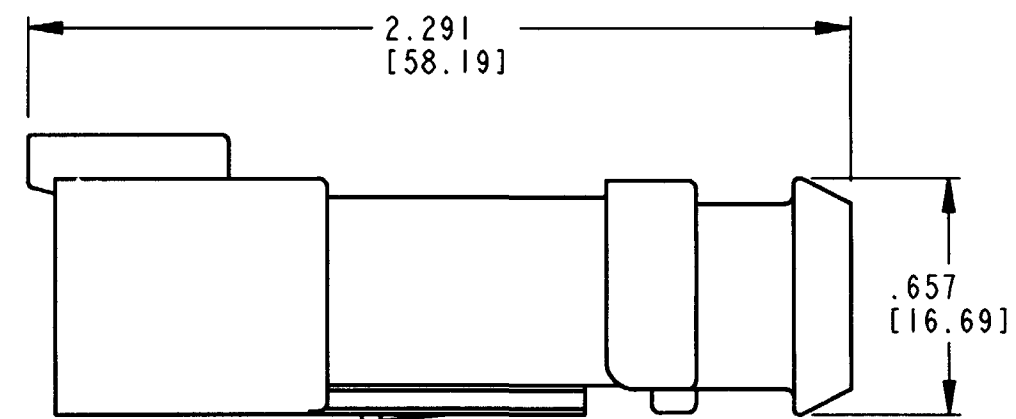
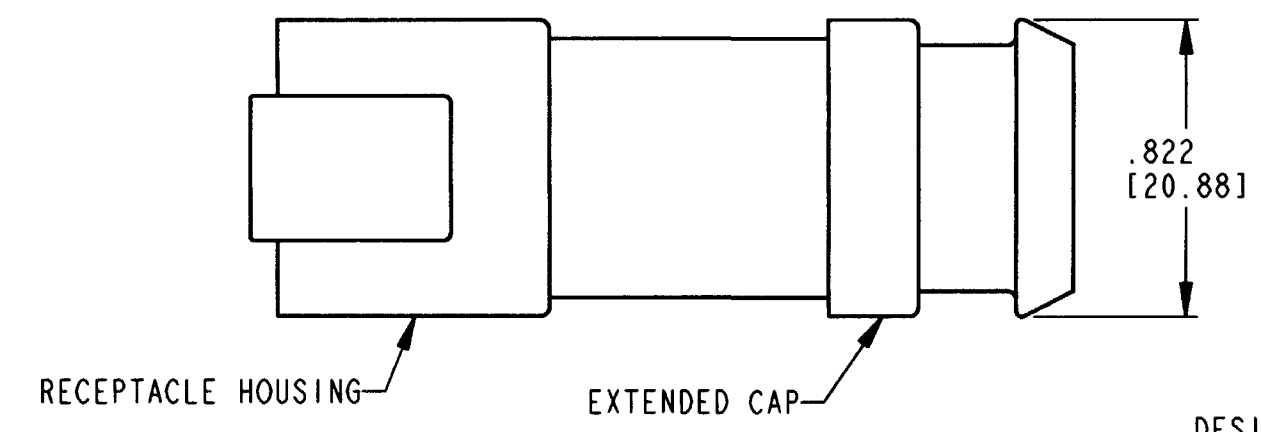


REV	DT04-4P-CE04	REVISIONS		
SYM	DESCRIPTION	DATE	APPROVED	
NC	NEW RELEASE PER E.O. PI5029	3/29/96	RDR	
A	REVISED PER E.O. PI5905	6-15-99	RDR	



5. THIS CONNECTOR WILL ACCOMMODATE THE FOLLOWING WIRE INSULATION DIAMETERS:

CONTACT SIZE	MIN. INSUL O.D.	MAX. INSUL O.D.	WIRE RANGE [mm ²]
16	.053 [1.35]	.120 [3.05]	14-20 AWG [2.0-0.5]

4. THIS RECEPTACLE MATES WITH DT06-4S-**** (**** = ALL MODIFICATIONS). CONSULT FACTORY FOR MODIFICATIONS.

3. FOR CONTACTS AND WIRE PERFORMANCE AND APPLICATION CHARACTERISTICS SEE ENVELOPE DRAWING 0425-015-0000 AND 0425-017-0000.

2. DIMENSIONS ARE ±.025 [0.63] UNLESS OTHERWISE SPECIFIED.

1. DIMENSIONS ARE IN INCHES [MILLIMETERS].

NOTES:

SIGNATURE & DATE	
DR	D. SPENCER 02FEB99
CHK	S. J. [Signature] 6-14-99
PE	S. J. [Signature] 6-11-99
APPD	R. Reed 6-15-99
SCALE	3:1 WT

4 WAY RECEPTACLE
 REDUCED WIRE SEAL
 EXTENDED CAP
 COLOR: GRAY
 CE04 MOD
 DT SERIES
 ENVELOPE

CP	MATL. CODE
The Deutsch Company DEUTSCH I.P.D. 3850 INDUSTRIAL AVE. HEMET, CALIF. 92545	
B	DT04-4P-CE04
DWG SIZE	CODE 11139 SHEET OF